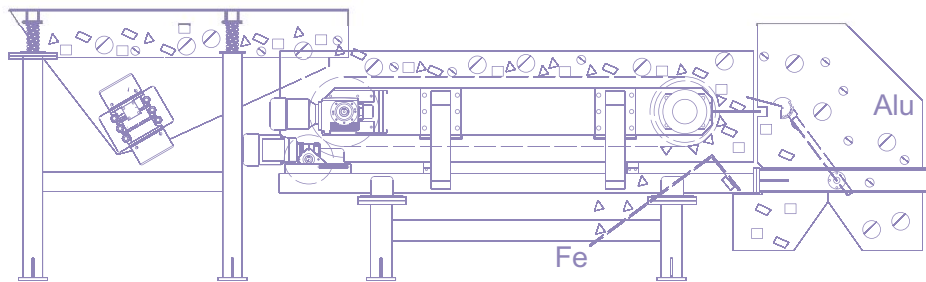


Eddy current separator type SWP



FEATURES

- Separation of non-ferrous metals from 1 mm.
- Fast belt replacement.
- Adjustment of operation parameters with inverters.
- Easy operation with lubrication signalling.
- Electronic rotor stopping system.
- Rigid and amortized construction.
- Leading manufacturer's accessories.

EXAMPLE PROJECTS



Recovery of aluminium cans from municipal waste.



Recovery of non-ferrous metals from electronic waste.



Aluminium dross recycling.

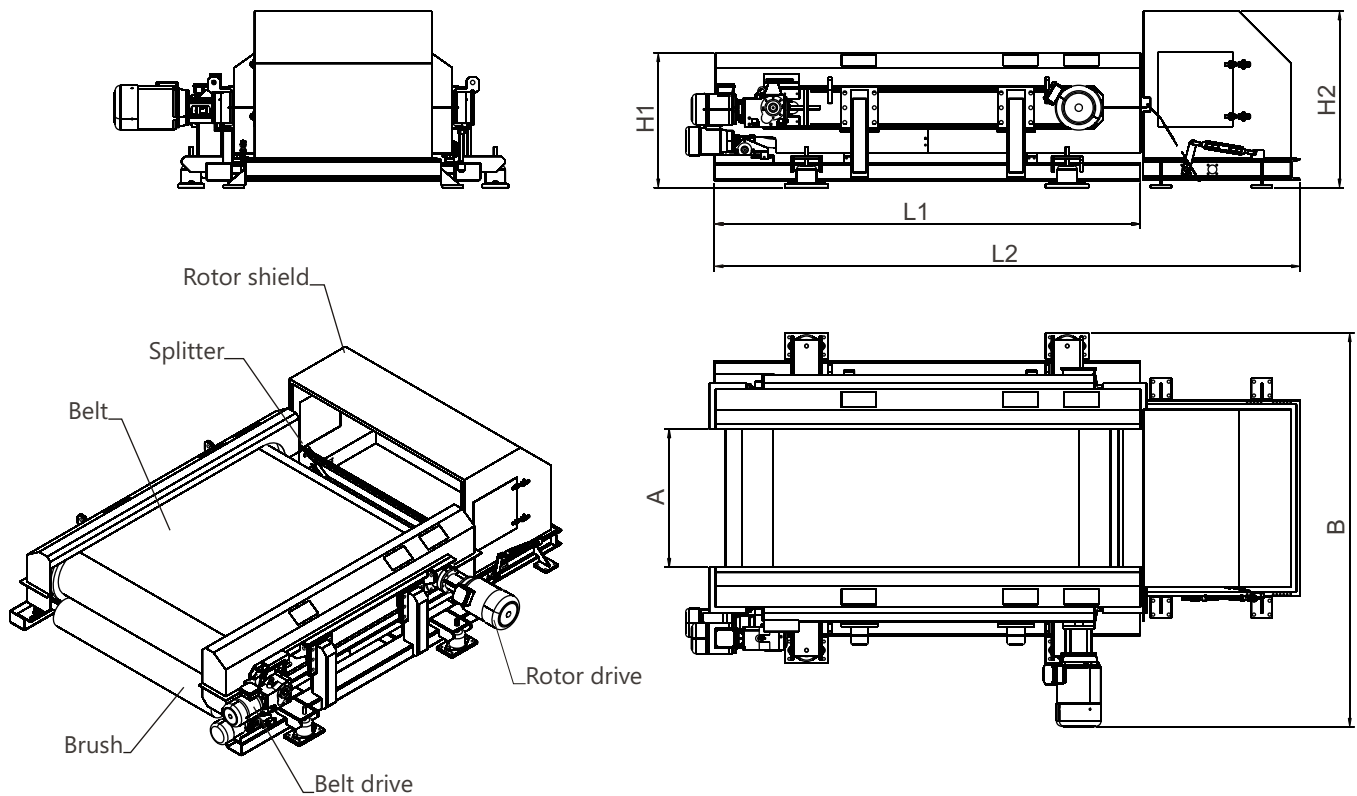


Separation of non-ferrous metals from glass cullet.

DESIGN

- The belt conveyor with adjusted belt speed intended to spread material uniformly.
- The magnetic rotor made of high-power neodymium (NdFeB) magnets intended to remove non-ferrous metals.
- Special bearings and precise rotor balancing to obtain high rotational speed.
- The rotor jacket made of epoxy resins reinforced with glass fibre.
- The separator belt made of high wear resistant polyurethane and equipped with the cleats to remove small iron contaminants.
- Double belt sealing: waved edges and strip brushes.
- The rotor drive with 2 or 4-pole Nord induction motor.
- The rotor rotational speed adjusted in the range of 0 to 3000 min⁻¹
- The belt drive with Nord geared motor or of other manufacturer's on customer request.
- The belt speed adjusted in the range of 0.5 to 2.5 m/s.

TECHNICAL DATA



Type	Dimensions (mm)						Drive power			Weight (kg)
	A	B	H1	H2	L1	L2	Rotor (kW)	Belt (kW)	Brush (kW)	
SWP 60	600	1915	790	1015	2450	3320	4	0,75	0,55	1450
SWP 80	800	2115	790	1015	2450	3320	4	0,75	0,55	1600
SWP 100	1000	2365	790	1015	2450	3320	5,5	1,1	0,75	1900
SWP 125	1250	2645	790	1015	2450	3320	5,5	1,1	0,75	2200
SWP 150	1500	2865	790	1015	2450	3320	7,5	1,5	0,75	2500
SWP 175	1750	3145	790	1015	2450	3320	7,5	1,5	0,75	2800
SWP 200	2000	3425	790	1015	2450	3320	11	2,2	1,1	3100

EQUIPMENT

- Control cabinet equipped with frequency converters for the rotor rotational speed and belt speed adjustment.
- Braking resistor for fast stopping of a rotor in case of failure.
- Rotor shield with adjustable splitter to separate material from ejected metals.
- Limit switches signalling the belt sliding off.
- Motion sensor signalling the belt drive failure.
- Column signalling the separator operating modes: Operation, Failure, Service, Braking.
- Operating hour meter.
- Rotary brush to clean contaminants stuck to the separator belt.
- Vibrating feeder (option).