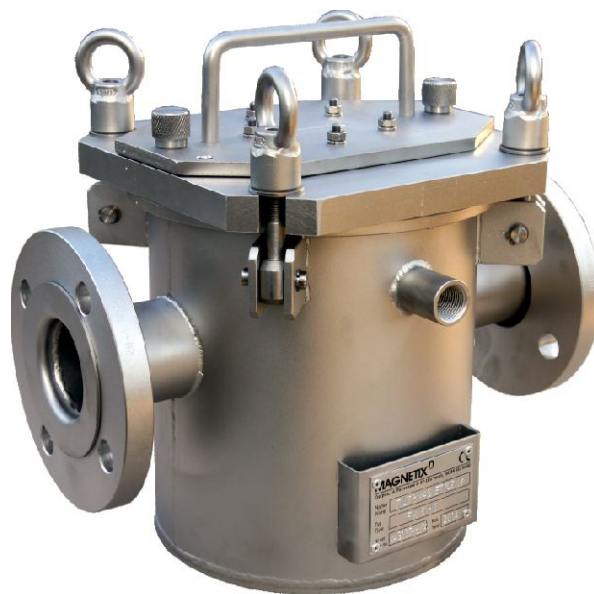
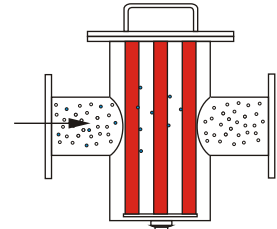
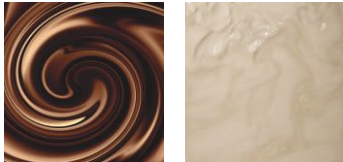


# Magnetic filter type FM



## FEATURES

- Semi-automatic cleaning from captured metals.
- Neodymium magnets (NdFeB) with remanence above 14 000 Gs.
- Separator effectiveness above 99% when frequently cleaned.
- Working pressure of up to 5 bar
- Working temperature of up to 80°C

## CLEANING METHOD



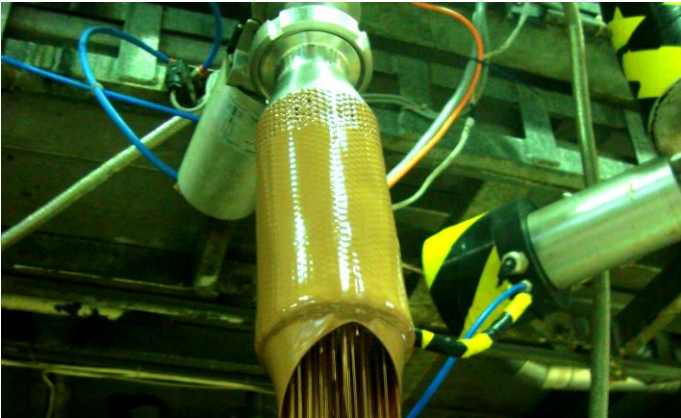
## EXAMPLE PROJECTS



Filter installed horizontally for removal of fine iron contaminants from liquid chocolate.



Filter installed vertically for removal of fine iron contaminants from liquid chocolate.



Openwork filter for removal of fine iron contaminants from liquid chocolate.



Tub filter for removal of iron contaminants from liquid ceramic body.

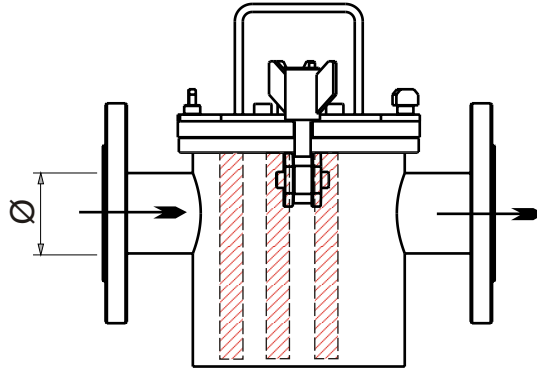
## DESIGN

- The magnetic bars made of high-power neodymium (NdFeB) magnets.
- The coats of magnetic bars made of wear resistant titanium steel.
- The pressure body made of high quality stainless steel.
- The drain plug facilitating the filter washing.
- Connection orifices.

## VERSIONS

- Filter body resistant to pressure of up to 10 atm.
- HT version with the water jacket for products thickening with decrease in temperature (chocolate).
- Mechanical filter stopping non-magnetic foreign bodies.
- High temperature magnetic material up to 150°C

## TECHNICAL DATA



Type	Inlet diameter	Working pressure (bar)	Flow rate (l/min)	Bars quantity	Weight
	Ø (mm)				(kg)
FM 5	50	5	50	5	33
FM 7	75	5	200	5	35
FM 10	100	5	400	6	39
FM 12	125	5	600	7	42
FM 15	150	5	850	7	47
FM 20	200	5	1600	9	85
FM 25	250	5	3000	11	140
FM 30	300	5	4500	15	180